



BlockSplitter™

OVERVIEW

The Safe and Easy Solution to Solid Block Splitting.

Two Models: Wheeled and Sled.

FEATURES

VERSATILE: Accommodates all solid concrete block. Cutting blade is 17" (430 mm), 18" block will fit. Variable cutting height from 3/8" to 12" (10-300 mm).

LIGHT WEIGHT: The BlockSplitter™ weighs only 126 lbs. (57.3 kg).

SAFE OPERATION: The unit is a much safer method of splitting blocks compared to traditional methods.

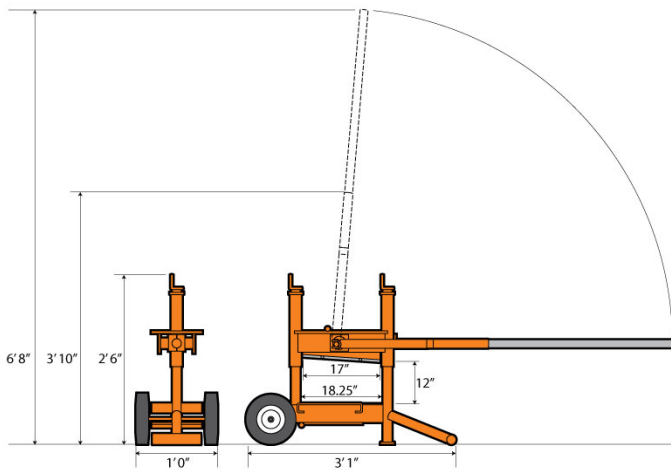
SELF-CONTAINED: No external parts required. Each unit comes with a "cheater bar" to allow better leverage for splitting larger block.

EASY-TO-USE: Large two-sided loading table; one side solid mounted for perfect 90 degree splits and one side tiltable to enable undercuts or double angle cuts.

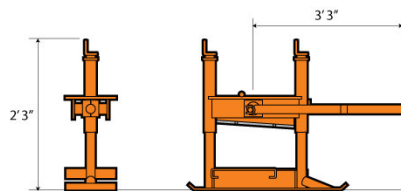
STRONG CUTTING BLADES: Floating upper blades for uniform contact top and bottom for clean splits. Four-sided blades on top and bottom allow operators to rotate if necessary. Each blade, under normal wear and tear should last approximately 2 years.

PORTABLE: Each unit has wheels on the back end for easy transport. The "cheater bar" can be added and locked into place to push/pull the unit.

BlockSplitter™



MPI BlockSplitter™



MPI BlockSplitter™ Sled

FEATURES: SLED MODEL

LOWER OVERALL HEIGHT: Easier operation in Low Coal. Sled functions easily in roughly 31" seams and higher.

LOWER DECK: Personnel do not have to lift heavy block as far from the ground.

IDEAL FOR UNEVEN SURFACES: It may be easier to haul underground depending on conditions.

PORTABLE: Features two hooks on the front end to hook to the scoop.

Modifications may be made to sled models to accommodate seams greater than 31". Contact us for details.

TECHNICAL SPECIFICATIONS

Dimensions	
Unit Weight:	155 lbs
Cutting Length:	up to 18"
Minimum Cutting Height:	3/8"
Maximum Cutting Height:	12"
Footprint:	3' x 1'
Height of Adjustment Screws to Ground:	2' 6"
Height from Tip of Handle (vertical) to Ground:	3' 10"
Cheater Bar Length:	3' 3"
Height from Tip of Cheater Bar to Ground:	6' 8"
Handle Swing Requirements	
A vertical cutting handle will allow the block to be inserted. The cheater bar may be added as the operator lowers the cutting handle if height is restricted.	
Swing Circumference	3' 10"
Cutting Handle Only from Ground:	3' 10"
Swing Circumference	6' 8"
Cheater Bar from Ground:	6' 8"



mpiworldwide.com

East Office
25 Allegheny Square, Glassport, PA 15045
Tel: 412-664-7788 Fax: 412-664-7717

West Office
1114 Sixteen Road, Fruita, CO 81521-2029
Tel: 970-858-0600 Fax: 970-858-0696